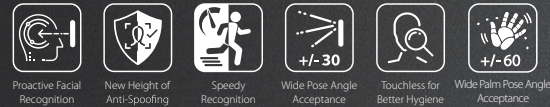


SpeedFace-V4L

Linux-Based Hybrid-Biometric Access Control & Time and Attendance Terminal with Visible Light Facial Recognition & Palm Recognition (Customized)



Compatible with **ZKBio CVAccess** and **ZKBio Zlink**



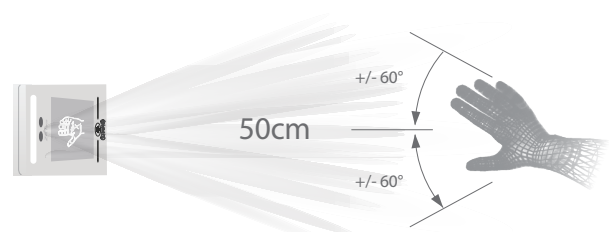
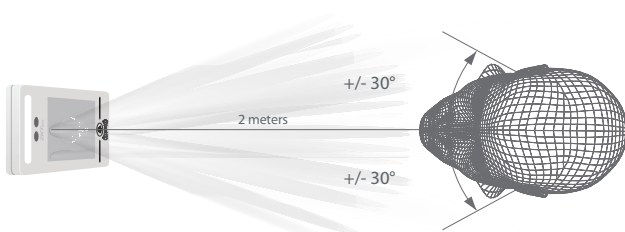
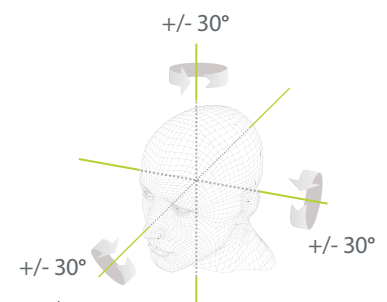
Features

- Visible Light Facial Recognition
- Anti-spoofing algorithm against print attack (laser, color and B/W photos), videos attack and 3D mask attack
- Multiple verification methods: Face / Palm (Customized) / Card / Password
- Available card modules: 125kHz ID card / 13.56MHz IC card / HID card / Felica card
- Supplement light with adjustable brightness
- 1000 face templates capacity, 1000 palm templates capacity (Customized)

2 meters of recognition distance and extra wide angle recognition

The recognition distance has been greatly extended to 2 meters, which significantly improves the maximum traffic rate. While most of the algorithms only support +/-15° of detectable face angle, SpeedFace-V4L doubles the detection angle in terms of head rotation and tilt to +/- 30°.

Touchless palm authentication (Customized) method with a novel hand tracking technique allowing angle tolerance as wide as +/-60° in the roll axis and a recognition distance of 50cm.

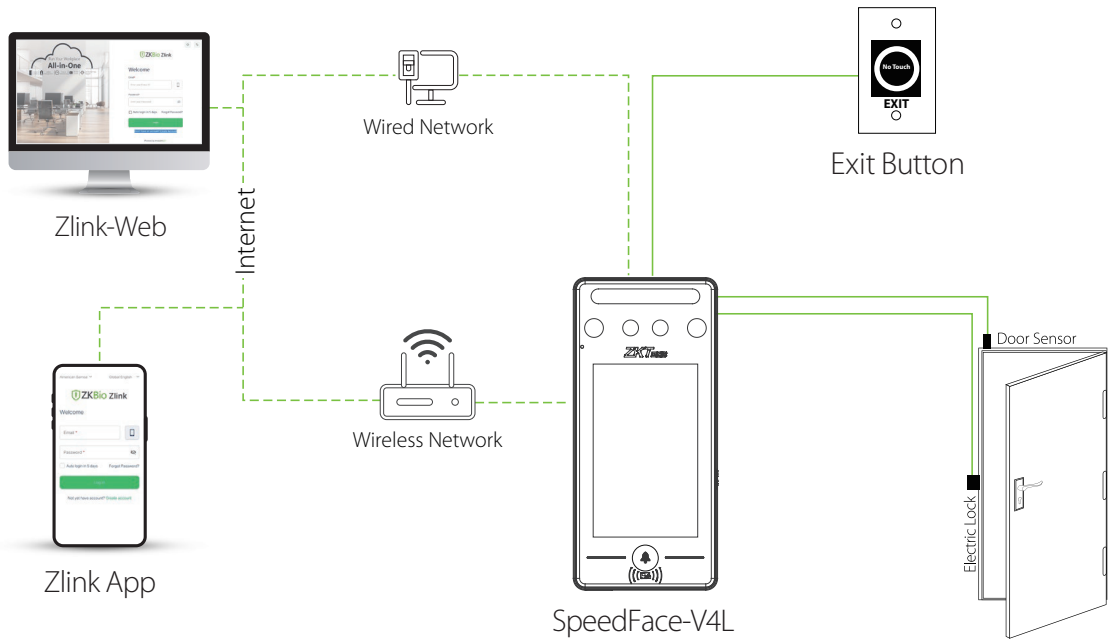


Specifications

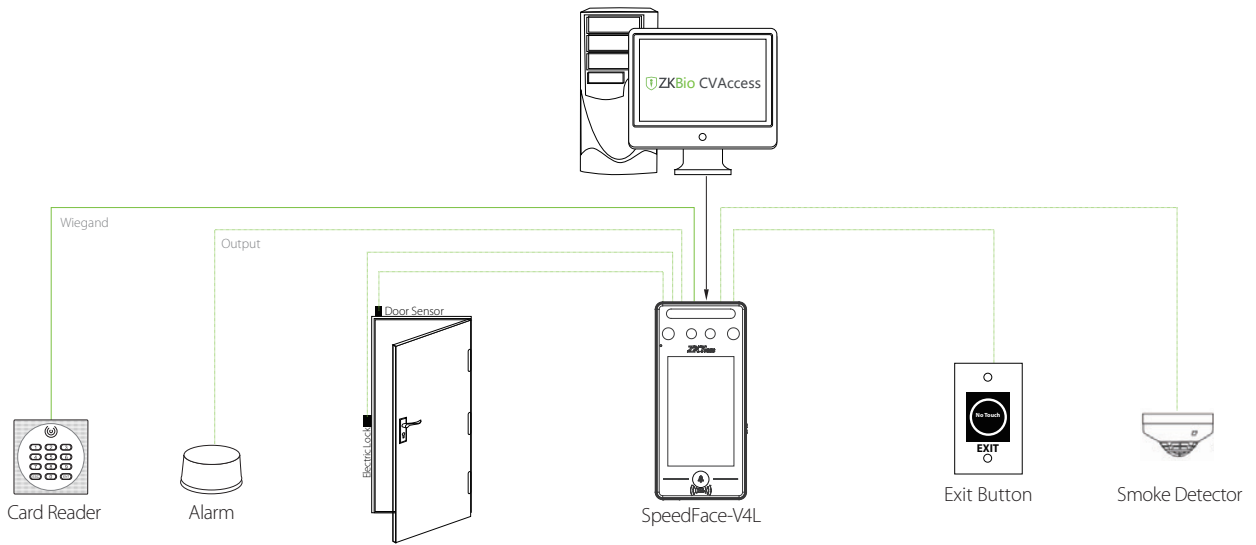
Model	SpeedFace-V4L
Display	4" ISP LCD Touch Screen (480*800)
Camera	Binocular Camera@ 2MP
Operation System	Linux
Hardware	900MHz Dual Core CPU; 512MB RAM / 512 MB ROM; 2MP Binocular Camera; Adjustable LED Supplement Lighting
Authentication Method	Face / Palm (Customized) / Card / Password (Virtual Keypad)
Fingerprint Template Capacity	/
Face Template Capacity	1,000 (1:N) (Optional:2,000) 1,000 (1:1) (Optional:2,000)
Palm Template Capacity	1000 (1:N) (Customized)
Card Capacity	1,000 (Optional:2,000)
Transaction Capacity	150,000
Biometric Verification Speed	less than 1 sec (Facial Recognition) less than 0.35 Sec (Palm Recognition)
Touchless Biometric Recognition Distance	1cm to 100cm (Facial Recognition) Up to 50cm (Palm Recognition) (Customized)
False Acceptance Rate (FAR) %	FAR ≤ 0.01% (Visible Light Facial Recognition) FAR ≤ 0.05% (ZKPalm V12.0)
False Rejection Rate (FRR) %	FRR ≤ 0.02% (Visible Light Facial Recognition) FRR ≤ 1.8% (ZKPalm V12.0)
Biometric Algorithm	ZKFace V3.9 ArmaturaPalm
Card Type	ID Card@125 kHz (Standard) 13.56MHz IC Card (Optional) HID card (Optional) Felica card (Optional)
QR Code	Dynamic or Static QR codes on the ZKBio CVAccess mobile application QR code
Communication	TCP/IP*1, USB Host*1, Wi-Fi (Optional), Wiegand Input*1, Wiegand Output*1, RS485 *1*, 3rd-party Electric Lock*1, Door Sensor*1, Exit Button*1, Alarm Output*1, Aux Input*1
Standard Functions	ID Card, ADMS, T9 Input, DST, 14-digit User ID, Access Levels, Groups, Holidays, Anti-passback, Record Query, Tamper Switch Alarm, Multiple Verification Methods
Power Supply	DC 12V 3A
Operating Temperature	0°C to 45°C (32°F to 113°F)
Operating Humidity	10% to 90% RH (Non-condensing)
Dimensions	157.94*72.94*23 mm (L*W*H)
Gross Weight	0.26kg
Net Weight	0.85kg
Supported Software	Software: ZKBio CVAccess Mobile App: ZSmart Cloud Service: ZKBio Zlink
Installation	Wall-mount
Certifications	ISO14001, ISO9001, CE, FCC

* Note: RS485 is for RS485 readers.

Configuration

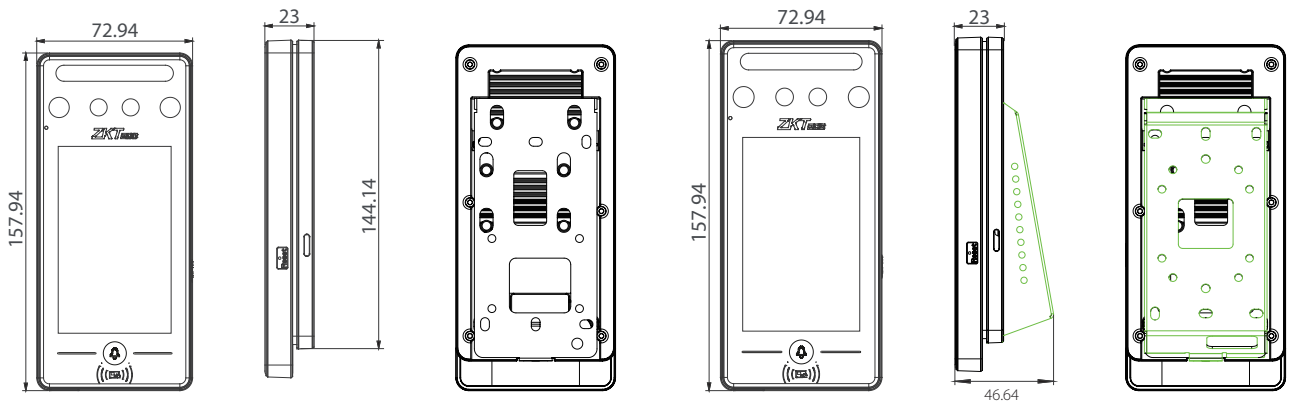


BEST Protocol



PUSH Protocol

Dimensions (mm)



V4.5 06/13/2024

